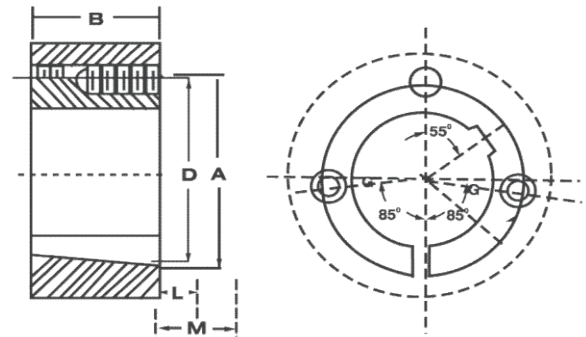


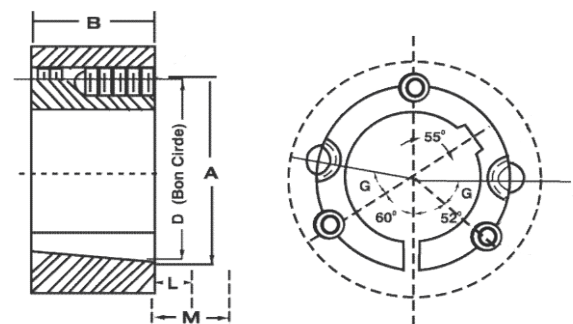


Dimensions				Set screws
Bush No.	A	B	D	
1008	1.386	7/8	1 21/64	1/4 x 1/2
1108	1.511	7/8	1 29/64	1/4 x 1/2
1210	1.875	1	1 3/4	3/8 x 5/8
1215	1.875	1 1/2	1 3/4	3/8 x 5/8
1610	2.250	1	2 1/8	3/8 x 5/8
1615	2.250	1 1/2	2 1/8	3/8 x 5/8
2012	2.750	1 1/4	2 5/8	7/16 x 7/8
2517	3.375	1 3/4	3 1/4	1/2 x 1
2525	3.375	2 1/2	3 1/4	1/2 x 1
3020	4.250	2	4	5/8 x 1 1/4
3030	4.250	3	4	5/8 x 1 1/4



Structure for 1008 to 3030

Dimensions				Set/cap screws	G
Bush No.	A	B	D		
3525	5	2 1/2	4.83	1/2 x 1 1/2	40°
3535	5	3 1/2	4.83	1/2 x 1 1/2	40°
4030	5 3/4	3	5.54	5/8 x 1 3/4	40°
4040	5 3/4	4	5.54	5/8 x 1 3/4	40°
4535	6 3/8	3 1/2	6.13	3/4 x 2	40°
4545	6 3/8	4 1/2	6.13	3/4 x 2	40°
5040	7	4	6.72	7/8 x 2 1/4	37°
5050	7	5	6.72	7/8 x 2 1/4	37°



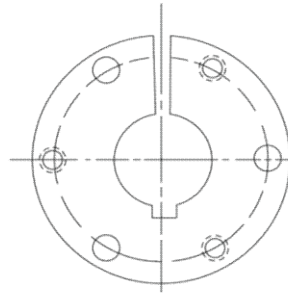
Structure for 3525 to 5050

Taper bush bore & keyway - mm

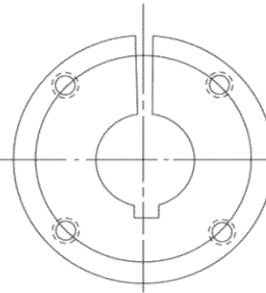
Bush No.	Bore range	Keyway
1008	10	3 x 1.40
	11, 12	4 x 1.80
	14, 16	5 x 2.30
	18, 19, 20, 22	6 x 2.80
	24	8 x 2.00
	25	8 x 1.30
1108	10	3 x 1.40
	11, 12	4 x 1.80
	14, 16	5 x 2.30
	18, 19, 20, 22	6 x 2.80
	24, 25	8 x 3.30
	28	8 x 2.00
1210	11, 12	4 x 1.80
	14, 16	5 x 2.30
	18, 19, 20, 22	6 x 2.80
	24, 25, 28, 30	8 x 3.30
	32	10 x 3.30
1215	11, 12	4 x 1.80
	14, 16	5 x 2.30
	18, 19, 20, 22	6 x 2.80
	24, 25, 28, 30	8 x 3.30
	32	10 x 3.30
1610	14, 16	5 x 2.30
	18, 19, 20, 22	6 x 2.80
	24, 25, 28, 30	8 x 3.30
	32, 35, 38	10 x 3.30
	40	12 x 3.30
1615	14, 16	5 x 2.30
	18, 19, 20, 22	6 x 2.80
	24, 25, 28, 30	8 x 3.30
	32, 35, 38	10 x 3.30
	40	12 x 3.30
2012	18, 19, 20, 22	6 x 2.80
	24, 25, 28, 30	8 x 3.30
	32, 35, 38	10 x 3.30
	40, 42	12 x 3.30
	45, 48, 50	14 x 3.80
2517	20, 22	6 x 2.80
	24, 25, 28, 30	8 x 3.30
	32, 35, 38	10 x 3.30
	40, 42	12 x 3.30
	45, 48, 50	14 x 3.80
	55	16 x 4.30
2525	20, 22	6 x 2.80
	24, 25, 28, 30	8 x 3.30
	32, 35, 38	10 x 3.30
	40, 42	12 x 3.30
	45, 48, 50	14 x 3.80
	55	16 x 4.30
3020	25, 28, 30	8 x 3.30
	32, 35, 38	10 x 3.30
	40, 42	12 x 3.30
	45, 48, 50	14 x 3.80
	55	16 x 4.30
	60, 65	18 x 4.40
3030	25, 28, 30	8 x 3.30
	32, 35, 38	10 x 3.30
	40, 42	12 x 3.30
	45, 48, 50	14 x 3.80
	55	16 x 4.30
	60, 65	18 x 4.40
70, 75	20 x 4.90	

Bush No.	Bore range	Keyway
3525	35, 38	10 x 3.30
	40, 42	12 x 3.30
	45, 48, 50	14 x 3.80
	55	16 x 4.30
	60, 65	18 x 4.40
	70, 75	20 x 4.90
	80, 85	22 x 5.40
	90	25 x 5.40
3535	35, 38	10 x 3.30
	40, 42	12 x 3.30
	45, 48, 50	14 x 3.80
	55	16 x 4.30
	60, 65	18 x 4.40
	70, 75	20 x 4.90
4030	40, 42	12 x 3.30
	45, 48, 50	14 x 3.80
	55	16 x 4.30
	60, 65	18 x 4.40
	70, 75	20 x 4.90
	80, 85	22 x 5.40
	90, 95	25 x 5.40
	100	28 x 6.40
4040	40, 42	12 x 3.30
	45, 48, 50	14 x 3.80
	55	16 x 4.30
	60, 65	18 x 4.40
	70, 75	20 x 4.90
	80, 85	22 x 5.40
	90, 95	25 x 5.40
4535	55	16 x 4.30
	60, 65	18 x 4.40
	70, 75	20 x 4.90
	80, 85	22 x 5.40
	90, 95	25 x 5.40
	100	28 x 6.40
4545	55	16 x 4.30
	60, 65	18 x 4.40
	70, 75	20 x 4.90
	80, 85	22 x 5.40
	90, 95	25 x 5.40
	100	28 x 6.40
5040	70, 75	20 x 4.90
	80, 85	22 x 5.40
	90, 95	25 x 5.40
	100, 105, 110	28 x 6.40
5050	115, 120, 125	32 x 7.40
	70, 75	20 x 4.90
	80, 85	22 x 5.40
	90, 95	25 x 5.40
	100, 105, 110	28 x 6.40
	115, 120, 125	32 x 7.40

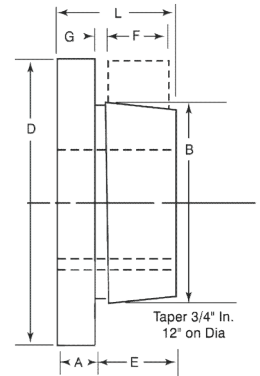
Note:
 Ordering example: 1610-14mm
 Accept custom made taper bushes.



Bushings
JA to J



Bushings
M to N



QD bushings-Dimensions (Inches)

Bushing	A	B	D	E	L	Bolt circle	Cap screws
JA	5/16	1.375	2	11/16	1	1.656	3- 10 x 1
SH	7/16	1.875	2 11/16	7/8	1 5/16	2 1/4	3- 1/4 x 1 3/8
SDS	7/16	2.187	3 1/8	7/8	1 5/16	2 11/16	3- 1/4 x 1 3/8
SD	9/16	2.187	3 1/8	1 3/8	1 13/16	2 11/16	3- 1/4 x 1 3/8
SK	9/16	2.812	3 7/8	1 3/8	1 15/16	3 5/16	3- 5/16 x 2
SF	5/8	3.125	4 5/8	1 7/16	2 1/16	3 7/8	3- 3/8 x 2
E	7/8	3.834	6	1 7/8	2 3/4	5	3- 1/2 x 2 3/4
F	1	4.437	6 5/8	2 3/4	3 3/4	5 5/8	3- 9/16 x 3 5/8
J	1 1/8	5.148	7 1/4	3 1/2	4 5/8	6 1/4	3- 5/8 x 4 1/2
M	1 1/4	6.494	9	5 1/2	6 3/4	7 7/8	4- 3/4 x 6 3/4
N	1 1/2	6.992	10	6 5/8	8 1/8	8 1/2	4- 7/8 x 8

Standard keyway & key dimension--Inches

Bore	Keyway	Key
1/2 -- 9/16	1/8 -- 1/16	1/8 x 1/8
5/8 -- 7/8	3/16 x 3/32	3/16 x 3/16
15/16 -- 1 1/4	1/4 x 1/8	1/4 x 1/4
1 5/16 -- 1 3/8	5/16 x 5/32	5/16 x 5/16
1 7/16 -- 1 3/4	3/8 x 3/16	3/8 x 3/8
1 3/16 -- 2 1/4	1/2 x 1/4	1/2 x 1/2
2 5/16 -- 2 3/4	5/8 x 5/16	5/8 x 5/8
2 13/16 -- 3 1/4	3/4 x 3/8	3/4 x 3/4
3 5/16 -- 3 3/4	7/8 x 7/16	7/8 x 7/8
3 13/16 -- 4 1/2	1 x 1/2	1 x 1
4 9/16 -- 5 1/2	1 1/4 x 5/8	1 1/4 x 1 1/4
5 9/16 -- 6 1/2	1 1/2 x 3/4	1 1/2 x 1 1/2
6 9/16 -- 7 1/2	1 3/4 x 3/4	1 3/4 x 1 3/4

QD bushings bore & keyway - Inches

Bushing No.	Bore range	Keyway
JA	3/8 -- 7/16	No keyway
	1/2 -- 1	Standard keyway
	1 1/16 -- 1 3/16	1/4 x 1/16
	1 1/4	No keyway
SH	1/2 -- 1 3/8	Standard keyway
	1 7/16 -- 1 5/8	3/8 x 1/16
	1 11/16	No keyway
SDS	1/2 -- 1 5/8	Standard keyway
SD	1 11/16 -- 1 3/4	3/8 x 1/8
	1 13/16	1/2 x 1/8
	1 7/8 -- 1 15/16	1/2 x 1/16
	2	No keyway
SK	1/2 -- 2 1/8	Standard keyway
	2 3/16 -- 2 1/4	1/2 x 1/8
	2 5/16 -- 2 1/2	5/8 x 1/16
	2 9/16 -- 2 5/8	No keyway
SF	1/2 -- 2 1/4	Standard keyway
	2 5/16 -- 2 1/2	5/8 x 3/16
	2 9/16 -- 2 3/4	5/8 x 1/16
	2 13/16 -- 2 7/8	3/4 x 1/16
	2 15/16	No keyway

QD bushings bore & keyway - Inches

Bushing No.	Bore range	Keyway
E	7/8 -- 2 7/8	Standard keyway
	2 15/16 -- 3 1/4	3/4 x 1/8
	3 5/16 -- 3 1/2	7/8 x 1/16
F	1 -- 3 1/4	Standard keyway
	3 5/16 -- 3 3/4	7/8 x 3/16
	3 13/16 -- 3 15/16	1 x 1/8
	4	No keyway
J	1 1/2 -- 3 13/16	Standard keyway
	3 7/8 -- 4 1/2	1 x 1/8
M	2 -- 4 11/16	Standard keyway
	4 3/4 -- 5 1/2	1 1/4 x 1/4
N	2 7/16 -- 5 1/16	Standard keyway
	5 1/8 -- 5 1/2	1 1/4 x 1/4
	5 9/16 -- 5 7/8	1 1/2 -- 1/4

Remarks:

Material selection: Ductile iron, Steel C45
Fekerman accept custom made bushings.